

# 2011

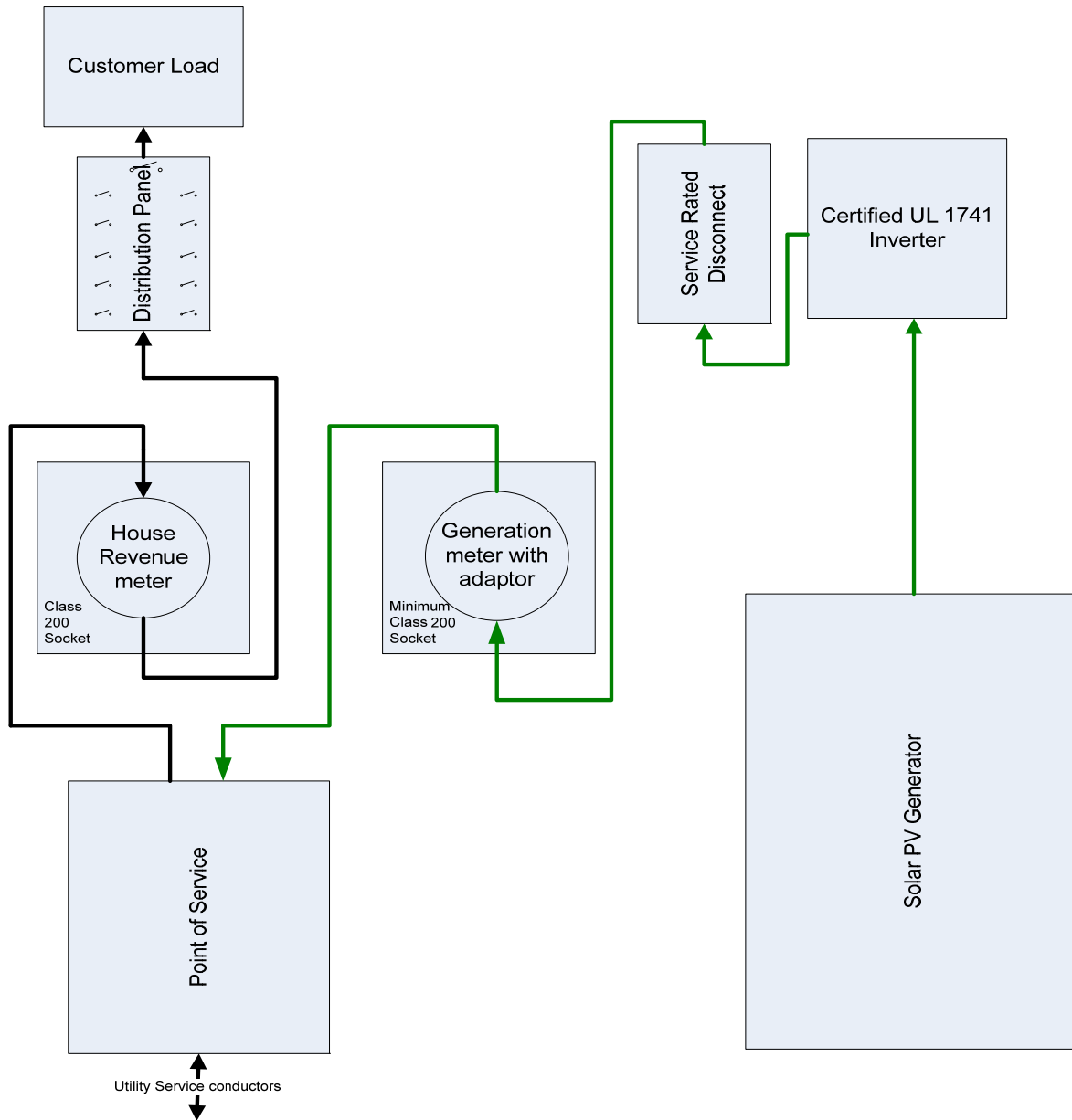
## Customer Owned Generation Diagrams

### Table of contents

Secondary Rated Metered at Secondary Voltage

<u>Description</u>	<u>Page Number</u>
<b>PV Service Installation Diagrams 240 Volt 3-wire 1Ø 200 Amp 20kW or Less</b>	
Overview 240 Volt 3-wire 1Ø 200 Amp Parallel connected	Page 2
Underground Service Two Position Meter Pedestal	Page 3
Underground Service Two Position Meter Socket	Page 4
Underground Service Milbank Meter Pedestal	Page 5
Overhead Service Two Position Meter Socket	Page 6
<b>Self-contained Meter, Socket Connected Overview</b>	
240 Volt 3-wire 1Ø 200 Amp Series connected	Page 7
240 Volt 3-wire 1Ø 320 Amp Series connected	Page 8
240 Volt 3-wire 3Ø 200 Amp Series connected	Page 9
<b>Transformer Rated Meter in Transformer Rated Socket Overview</b>	
All voltage Series connected	Page 10

SECONDARY RATE METERING  
 SELF-CONTAINED METER  
 SINGLE PHASE – THREE WIRE, FM 2S  
 240 VOLTS (GROUNDED), 200 AMPERES,  
 FOR CUSTOMER WITH PV 20 kW OR LESS  
 PARALLEL CONNECTION



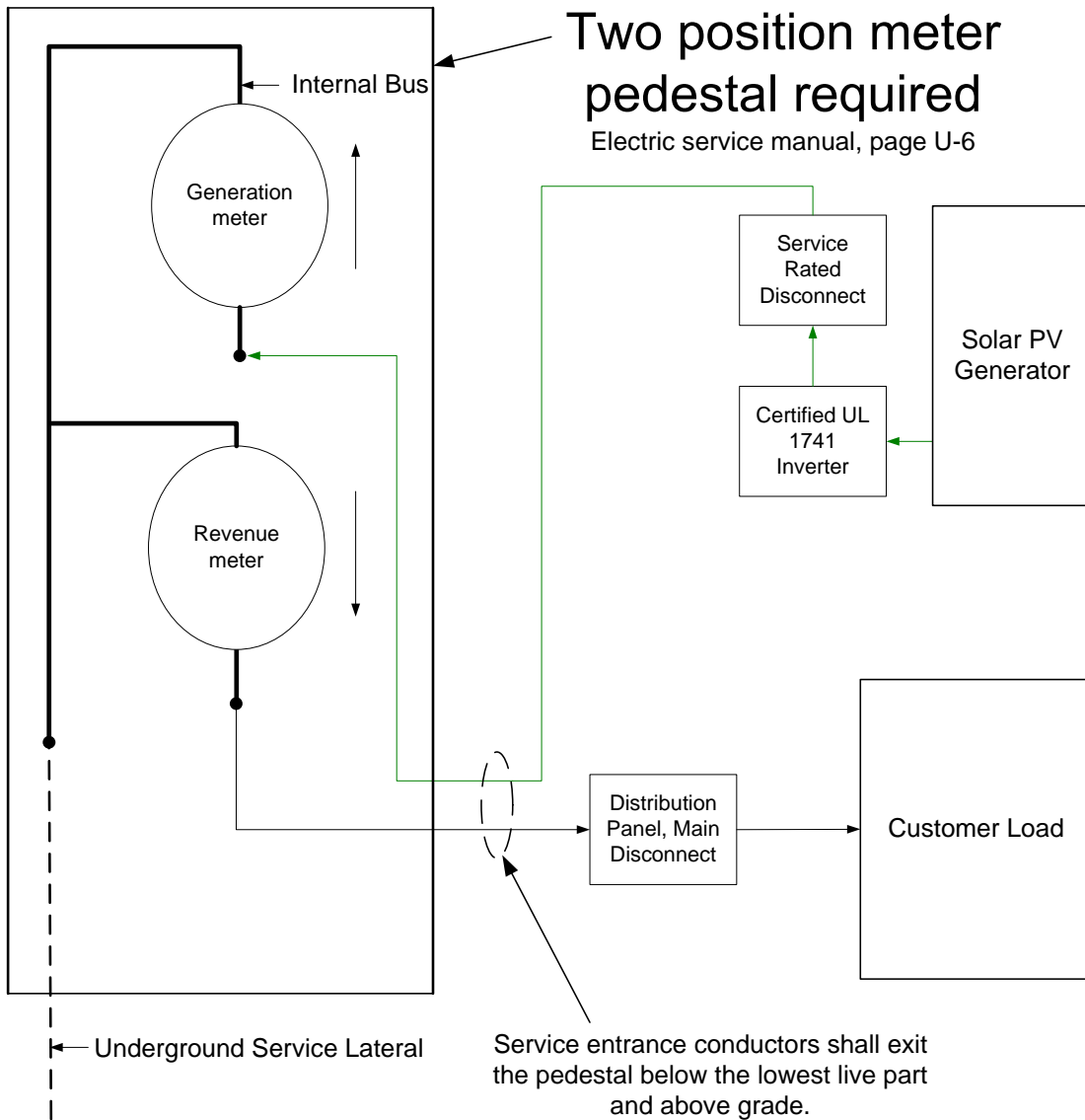
**NOTE:**

- A. For detailed parallel connection diagrams see: [http://www.we-energies.com/business\\_new/energyeff/PVmetering.pdf](http://www.we-energies.com/business_new/energyeff/PVmetering.pdf)
- B. Solar socket will be connected to line side of existing meter.
- C. A dual pedestal can be used to connect both meters to the line side of the service.
- D. Verify electrician labeled metering enclosures and disconnect. We-energies sticker lot number # 705-8377 should be added to the generation meter enclosure.

# We Energies

## Underground Two position Pedestal Service Installation

SELF-CONTAINED METER  
SINGLE PHASE – THREE WIRE, FM 2S  
240 VOLTS (GROUNDED), 200 AMPERES,  
FOR CUSTOMER WITH PV 20 kW OR LESS  
PARALLEL CONNECTION

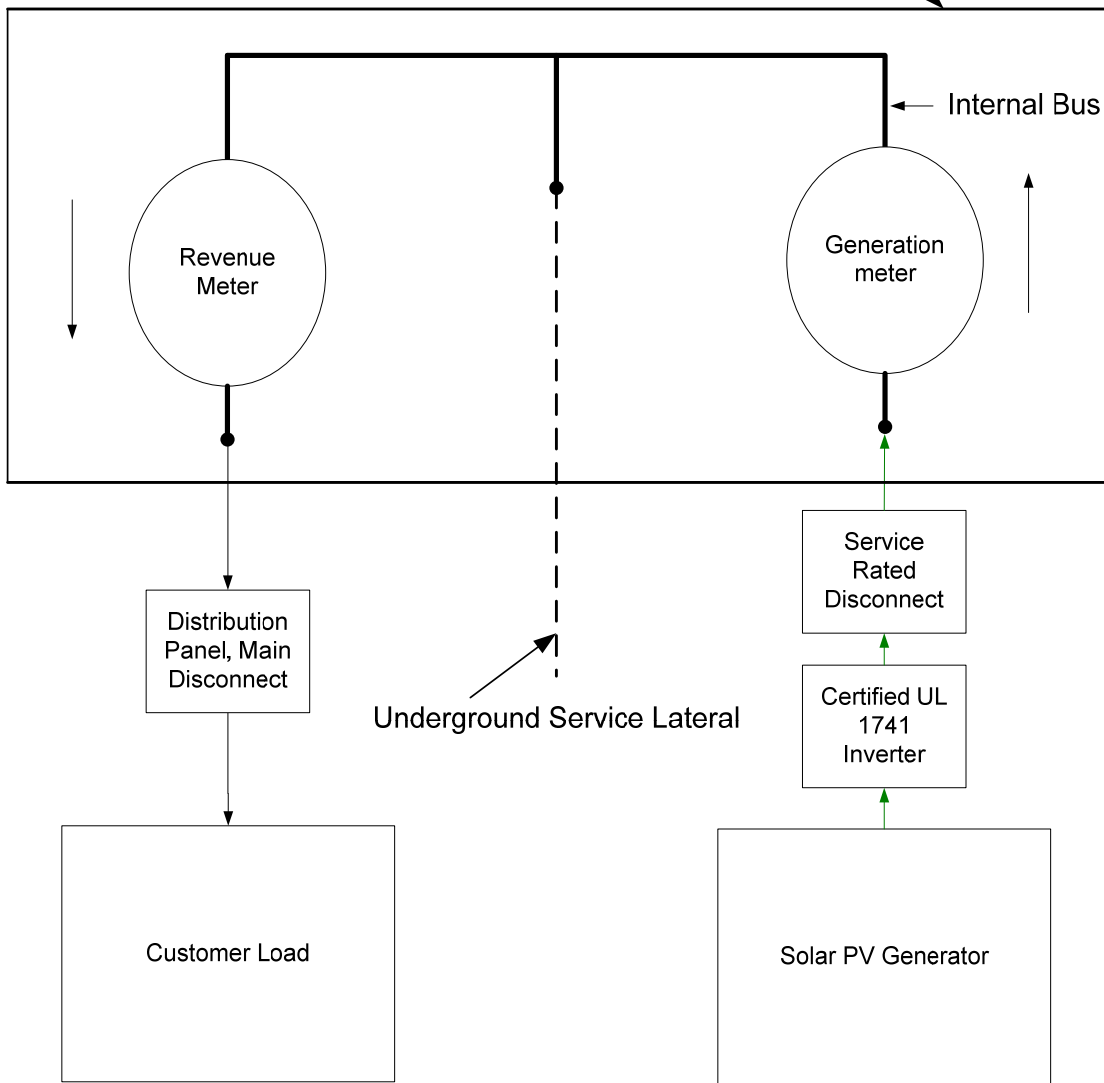


1. Remove existing meter pedestal and install two-position meter pedestal.

**We Energies**  
**Underground Service Two Position Socket Installation**  
 SELF-CONTAINED METER  
 SINGLE PHASE – THREE WIRE, FM 2S  
 240 VOLTS (GROUNDED), 200 AMPERES,  
 FOR CUSTOMER WITH PV 20 kW OR LESS  
 PARALLEL CONNECTION

**Two position meter socket required**

Electric service manual, page U-10

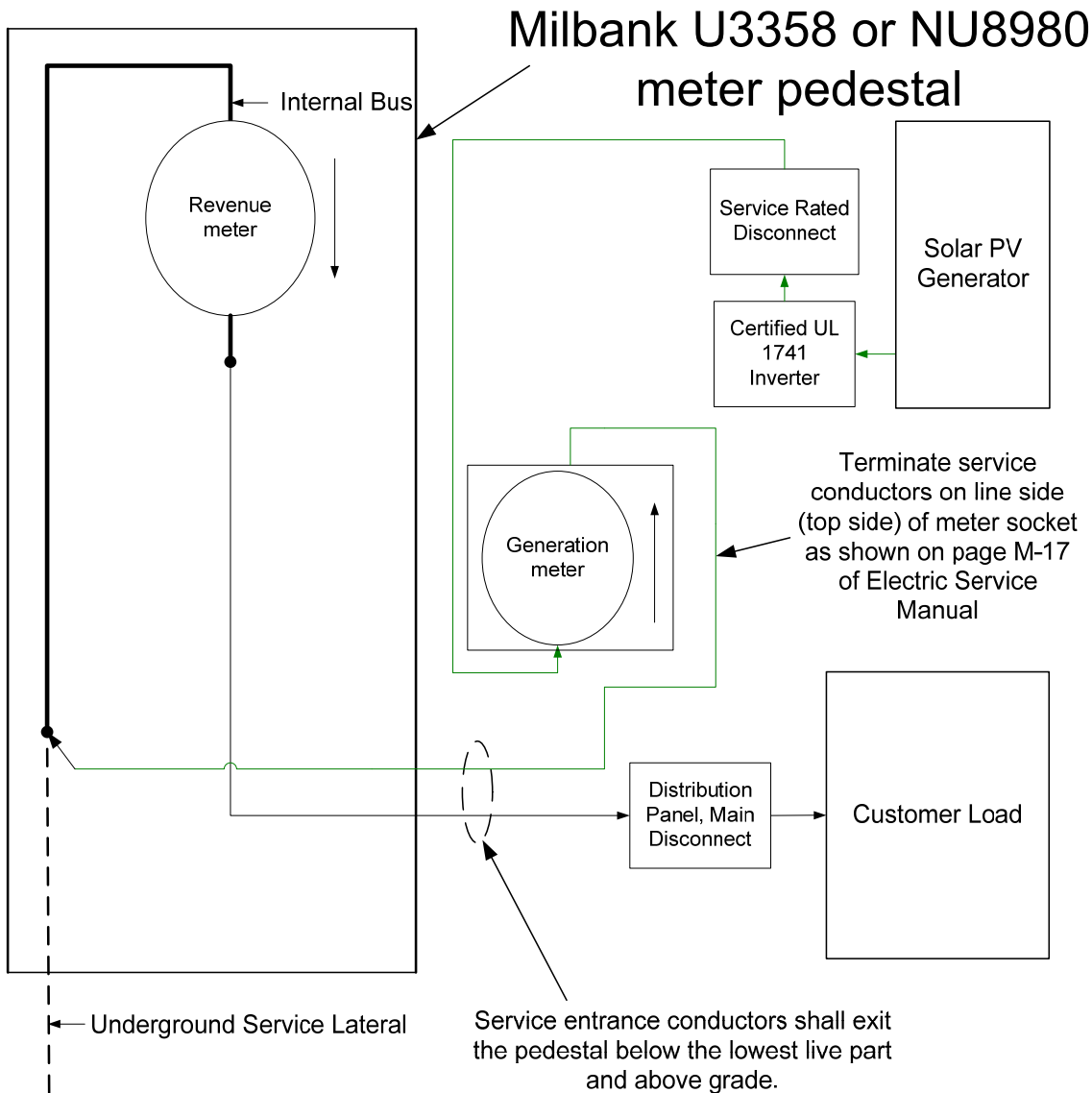


1. Remove existing meter socket and install two-position meter socket.

# We Energies

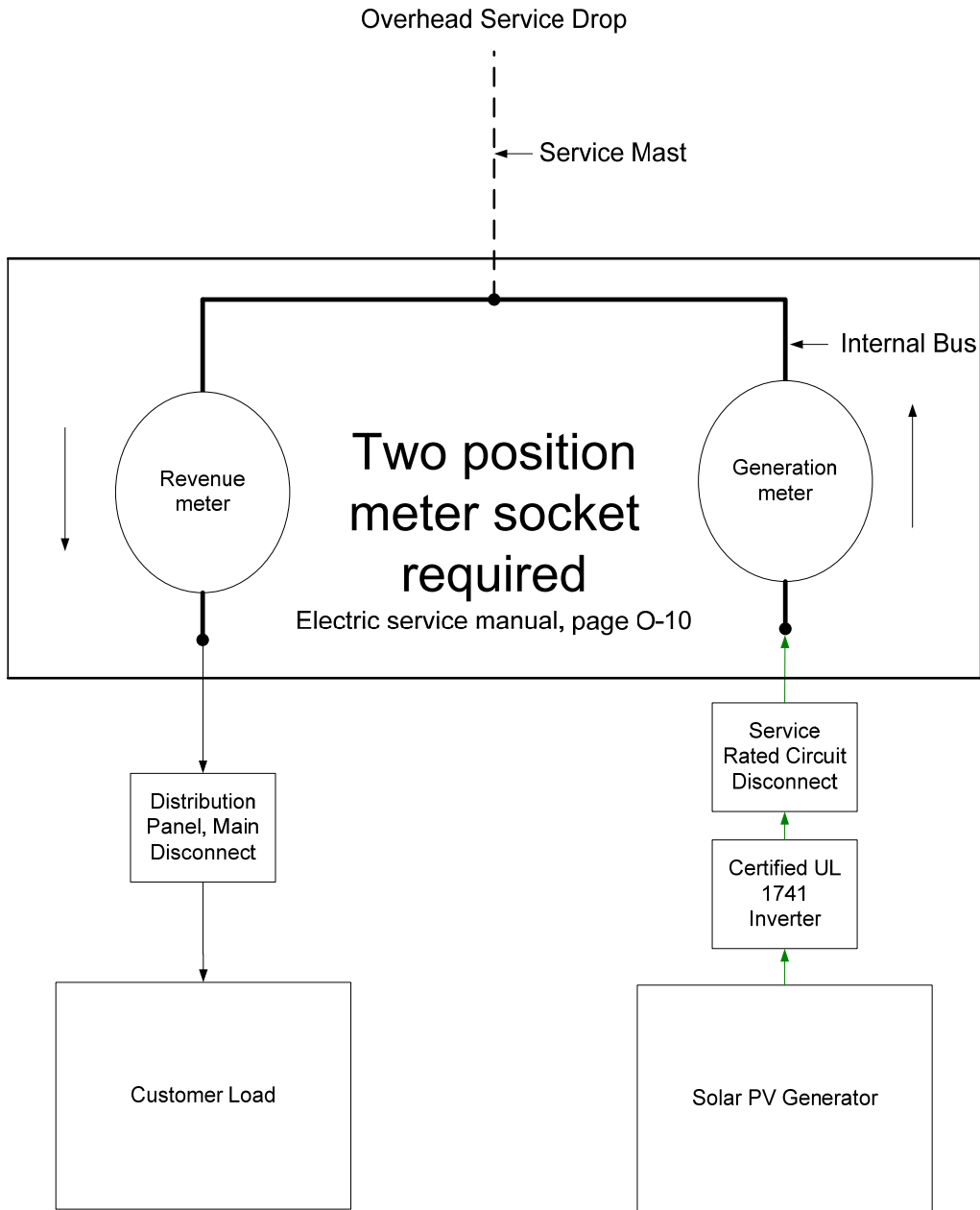
## Underground Service Milbank Pedestal Installation

SELF-CONTAINED METER  
SINGLE PHASE – THREE WIRE, FM 2S  
240 VOLTS (GROUNDED), 200 AMPERES,  
FOR CUSTOMER WITH PV 20 kW OR LESS  
PARALLEL CONNECTION



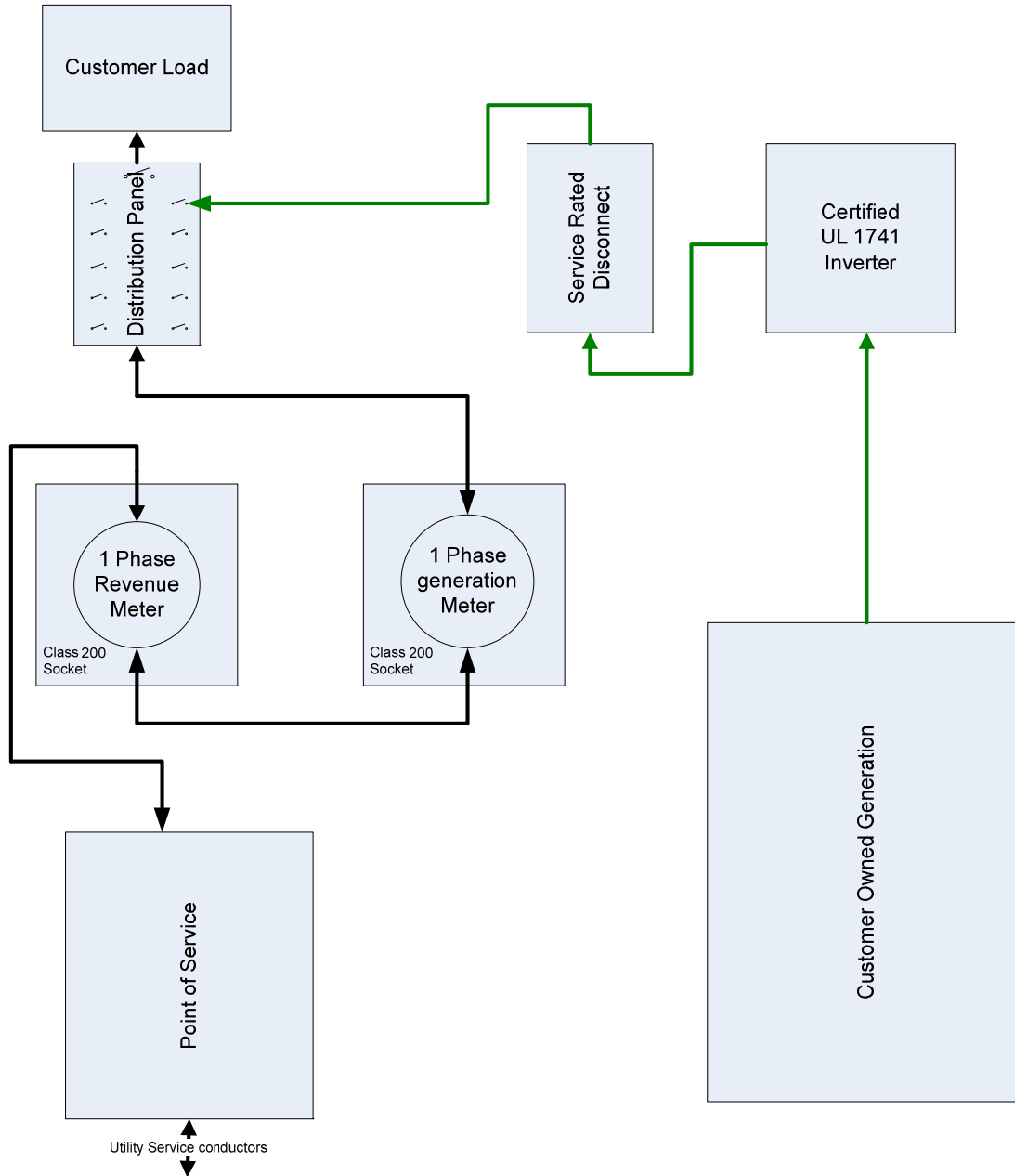
1. If existing meter pedestal is a Milbank U3358 or NU8980 remove service lugs and replace with twin lug assembly kit K1350.

**We Energies**  
**Overhead Service Two Position Socket Installation**  
 SELF-CONTAINED METER  
 SINGLE PHASE – THREE WIRE, FM 2S  
 240 VOLTS (GROUNDED), 200 AMPERES,  
 FOR CUSTOMER WITH PV 20 kW OR LESS  
 PARALLEL CONNECTION



1. Remove existing overhead meter socket and install two-position meter socket.

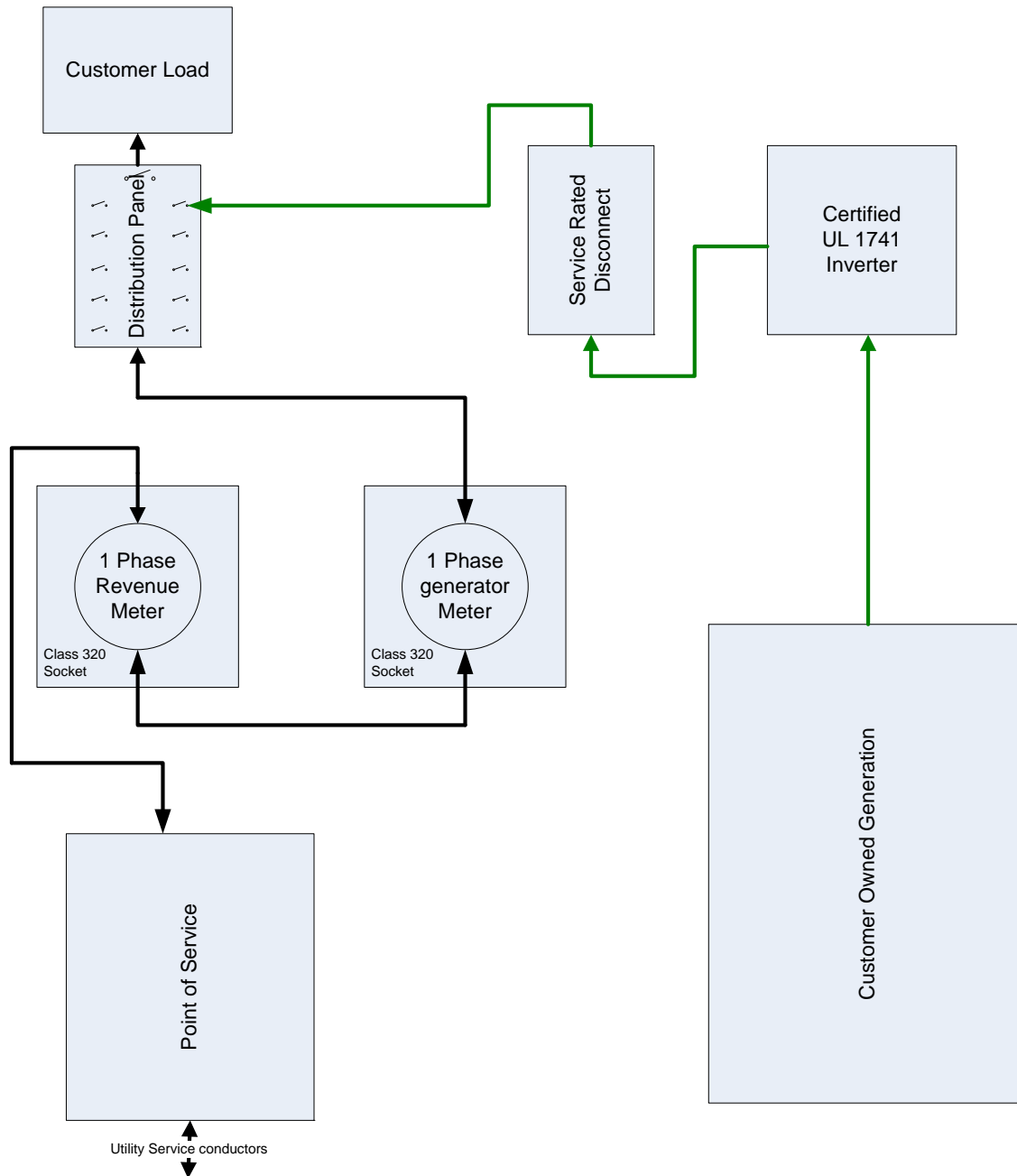
SECONDARY RATE METERING  
 SELF-CONTAINED METER  
 SINGLE PHASE – THREE WIRE, FM 2S  
 240 VOLTS (GROUNDED), 200 AMPERES,  
 CUSTOMER OWNED NON-PV GENERATION ANY SIZE OR PV OVER 20KW  
 SERIES CONNECTION



**NOTE:**

- A. Customer will install a new socket in series with the existing socket. The new socket must be rated the same as the original.
- B. Customer owned generation will be connected to the customer's main breaker.
- C. Verify electrician labeled metering enclosures and disconnect. We-energies sticker lot number # 705-8377 should be added to the generation meter enclosure.

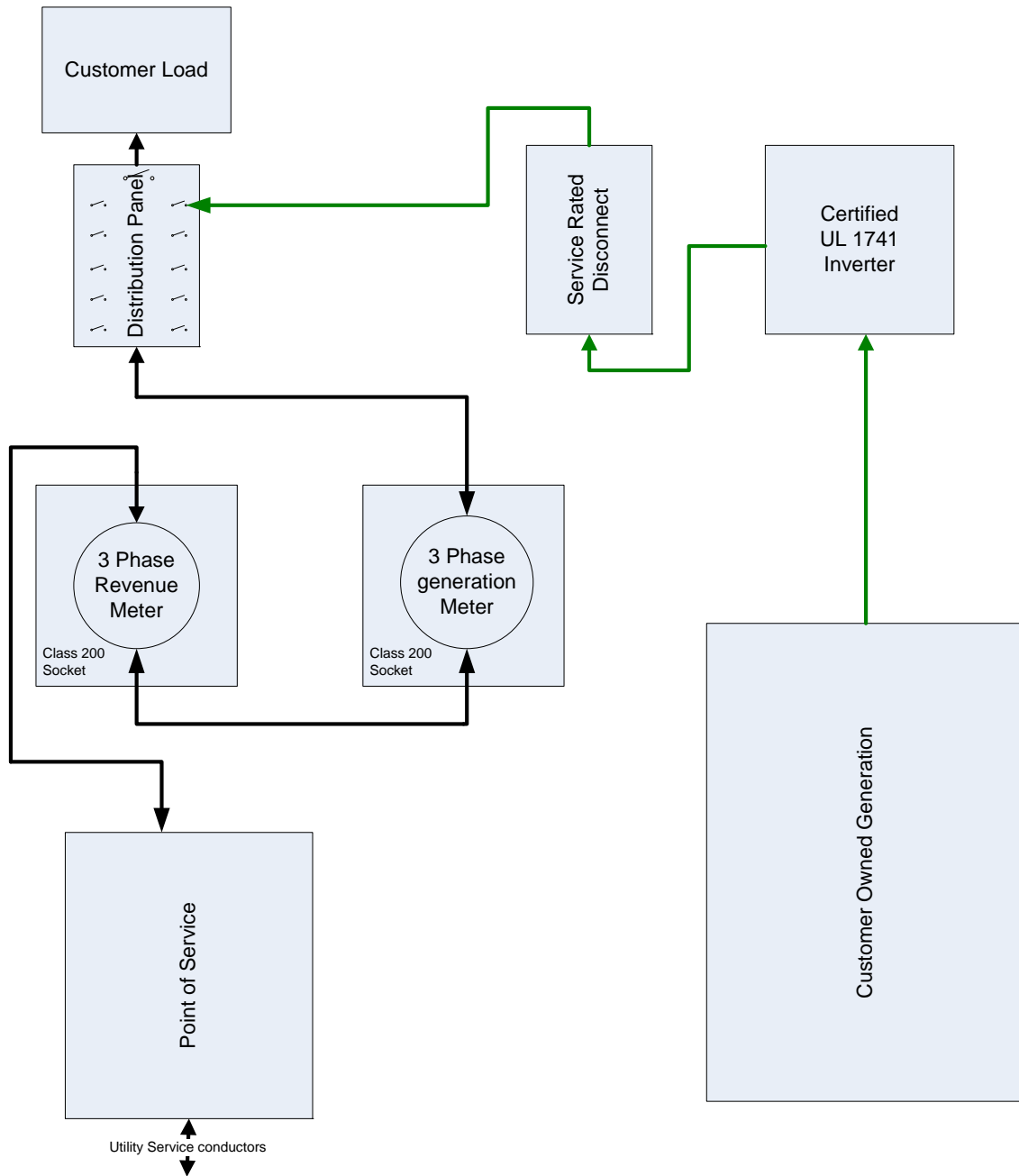
SECONDARY RATE METERING  
 SELF-CONTAINED METER  
 SINGLE PHASE – THREE WIRE  
 240 VOLTS (GROUNDED), 320 AMPERES,  
 CUSTOMER OWNED GENERATION ANY SIZE  
 SERIES CONNECTION



**NOTE:**

- A. Customer will install a new socket in series with the existing socket. The new socket must be rated the same as the original.
- B. Customer owned generation will be connected to the customer's main breaker.
- C. Verify electrician labeled metering enclosures and disconnect. We-energies sticker lot number # 705-8377 should be added to the generation meter enclosure.

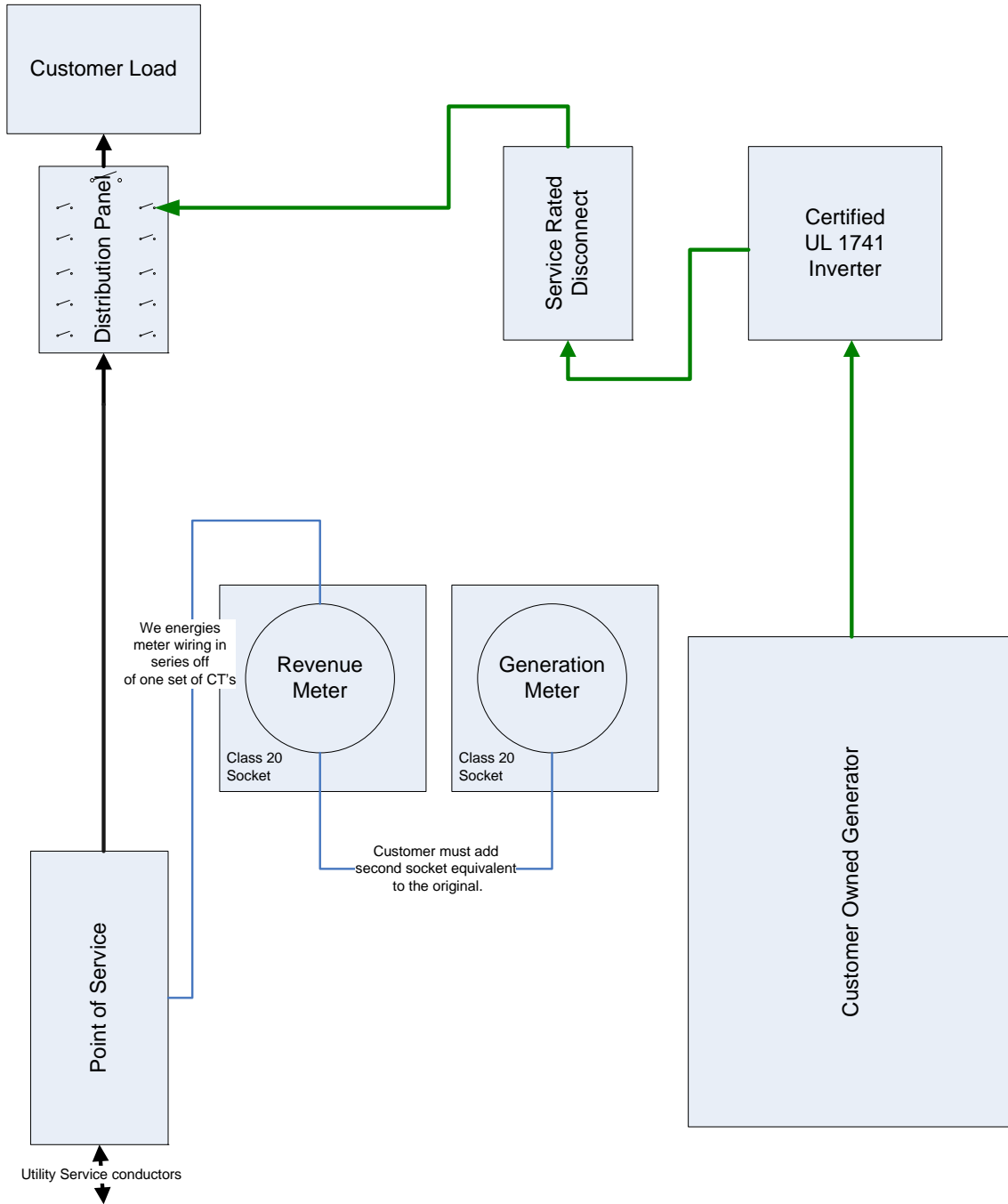
SECONDARY RATE METERING  
 SELF-CONTAINED METER  
 THREE PHASE – THREE & FOUR WIRE, FM 12S & 16S,  
 200 AMPERES OR LESS,  
 CUSTOMER OWNED GENERATION ANY SIZE  
 SERIES CONNECTION



**NOTE:**

- A. Customer will install a new socket in series with the existing socket. The new socket must be rated the same as the original.
- B. Customer owned generation will be connected to the customer's main breaker.
- C. Verify electrician labeled metering enclosures and disconnect. We-energies sticker lot number # 705-8377 should be added to the generation meter enclosure.

SECONDARY RATE METERING  
 TRANSFORMER RATED METER  
 GREATER THAN 320 AMP SERVICE  
 CUSTOMER OWNED GENERATION ANY SIZE  
 SERIES CONNECTION



**NOTE:**

- A. Customer will install a new meter socket and pipe it to the existing meter socket.
- B. One set of CT's will be used and We-energies will wire the two meters in series.
- C. Customer owned generation will be connected to the customer's main breaker.
- D. Verify electrician labeled metering enclosures and disconnect. We-energies sticker lot number # 705-8377 should be added to the generation meter enclosure.